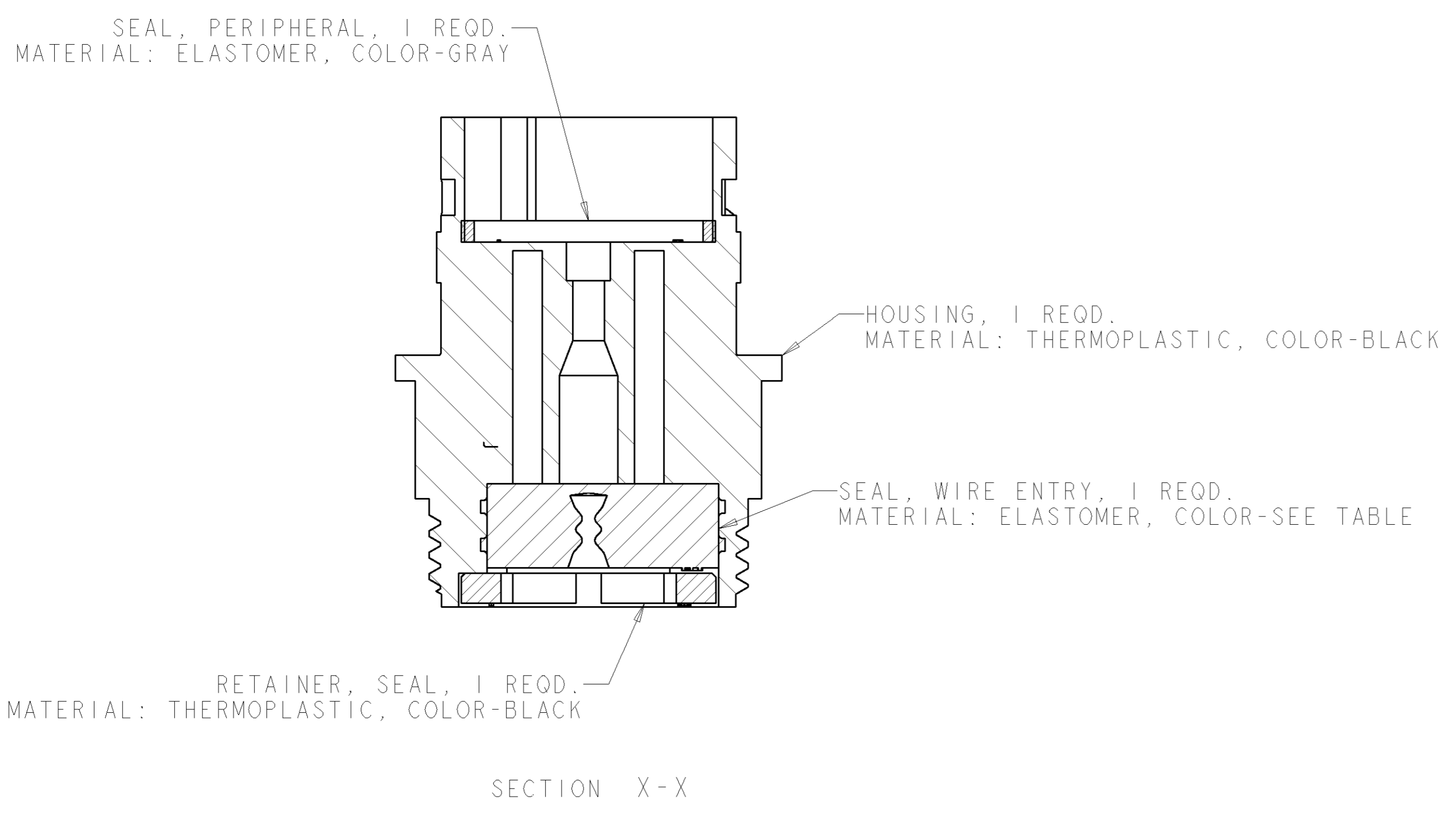
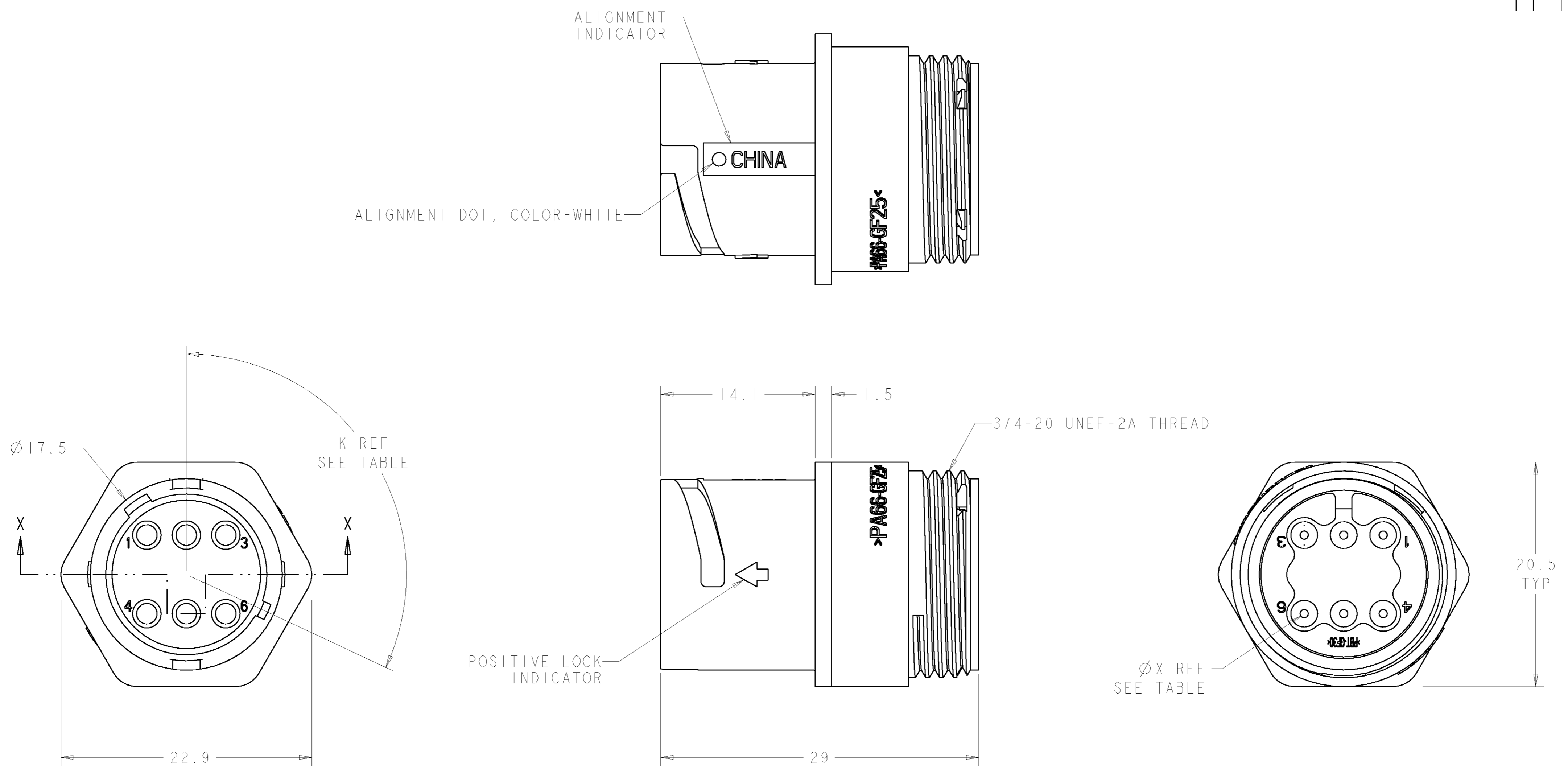


LOC		DIST		REVISIONS			
FT	0	P.	LTR	DESCRIPTION	DATE	DWN	APVD
		A		REVISED EC 063B-0326-03	13JUN2003	SW	HW
		B		REVISED EC 063B-0390-04	25MAY2004	SW	HW



QUALIFICATION TEST PENDING

YELLOW	Ø 0.75	135°	1445828-04
NATURAL	Ø 1.5	115°	1445828-03
NATURAL	Ø 1.5	135°	1445828-02
YELLOW	Ø 0.75	115°	1445828-01
SEAL, WIRE ENTRY COLOR	Ø X REF	K REF	PART NUMBER

DIMENSIONS: mm TOLERANCES UNLESS OTHERWISE SPECIFIED: 0 PLC ± 1 PLC ± 2 PLC ±0.13 3 PLC ± 4 PLC ± ANGLES ± FINISH -		DWN SHANE WIESE 22OCT2001 CDR G DOUTY 22OCT2001 APVD H WAKEEM 13JUN2003	Tyco Electronics Harrisburg, PA 17105-3608
MATERIAL: SEE CALLOUT		WEIGHT: - CUSTOMER DRAWING	NAME: ASSEMBLY, SIZE 11, 6 POSITION, FREE HANGING, SEALED, MINI CPC SIZE: A 00779 C=1445828 SCALE: 4:1 SHEET 1 OF 1 REV B